

FoldingAccess™



FOLDING DOOR SYSTEM



The FoldingAccess™ door package allows for maximum clear door opening within a confined space.

SERIES 4200



Innovative Features and Economical Performance

FoldingAccess™ is designed for high traffic entrances providing safety, convenience and reliability. The ability to fold panels in either direction and mounting options allow it to meet a wide range of design requirements. This automatic folding door package is ideal for entrances such as hospital corridors and small vestibules that require a wide opening but cannot accept a conventional door because of space limitation.

The unique breakout feature allows the panels to swing open when pushed in the direction of egress. The **FoldingAccess™** door is also available as a manual ICU door.

The **FoldingAccess™** door panels feature Horton's premium corner block construction for years of trouble free operation.

Horton Automatics has the largest factory trained and certified distribution team in the industry to support the installation and servicing of your entrance systems.

Standard Features:

- ▶ Folds open to provide the widest possible opening
- ▶ Built in safety – less than 15 lbs. closing force
- ▶ Emergency breakout
- ▶ Finger guard at all hinge points
- ▶ One-way and two-way traffic
- ▶ Vista™ Sensing System for activation and safety

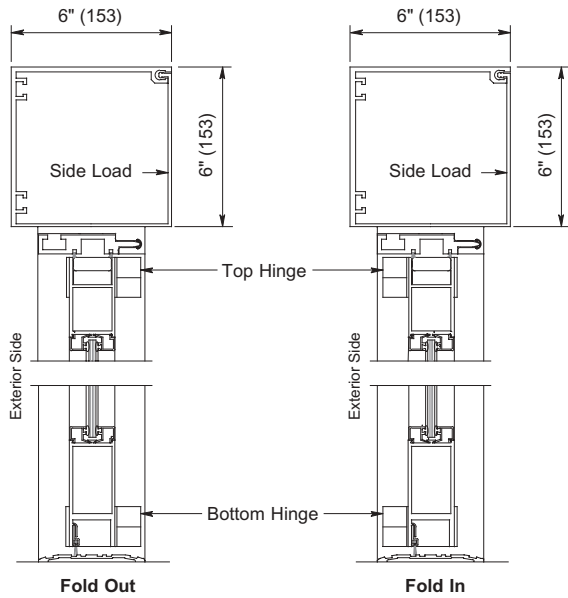
Specifier Options:

- ▶ Finish (anodized aluminum or paint)
- ▶ Overall dimensions
- ▶ Guide rails
- ▶ Operator:
 - S7000 4"x6" (102x152) header for medium traffic
 - S4000 6"x6" (152x152) header for heavy traffic
- ▶ Magnetic Lock
- ▶ Bottom rails and muntins
- ▶ Fold direction
- ▶ Transoms

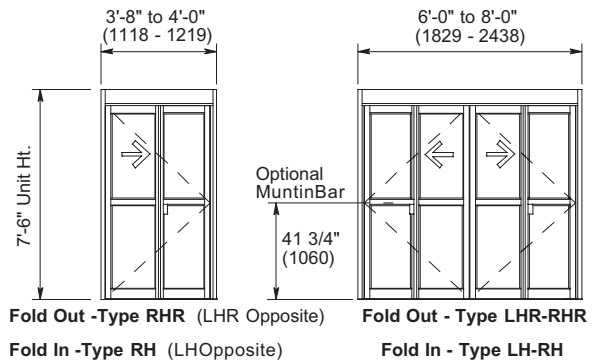


FoldingAccess™

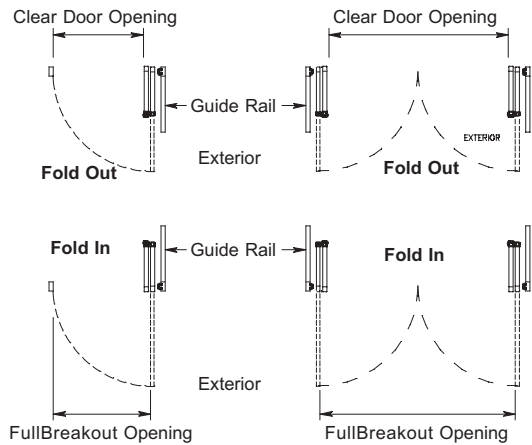
The innovative folding design allows the use of an automatic door in spaces too tight for automatic sliding or swinging doors. Designed for use in hospital corridors or small vestibules, the folding door gives you entrance automation without sacrificing space, accommodates two-way traffic and provides emergency breakout capability.



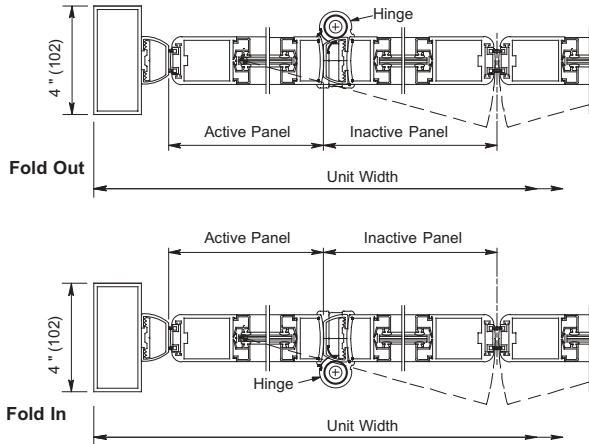
Vertical Sections



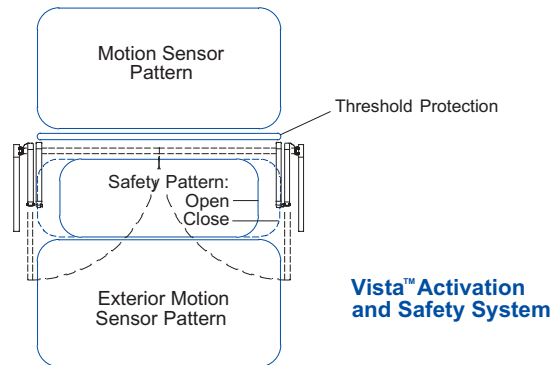
Fold Out - Type RHR (LHR Opposite) Fold Out - Type LHR-RHR
Fold In - Type RH (LHOpposite) Fold In - Type LH-RH



Floor Plans & Elevations



Horizontal Sections



Vista™ Activation and Safety System



4242 Baldwin Boulevard
 Corpus Christi,
 Texas, U.S.A. 78405-3399
 Tel: 800-531-3111, 361-888-5591
 Fax: 800-531-3108, 361-888-6510
www.hortondoors.com

Horton Automatics, Ltd.
 Unit A, Hortonwood 31
 Telford, Shropshire, England TF1-7YZ
 Tel: 01952 670169, Fax: 0192 670181
 International Tel: ++44-1952-670169
 International Fax: ++44-1952-670181



Form B507, Rev. 4/05
 © 1992 Horton Automatics
 Printed in U.S.A.

Horton Automatics reserves the right to alter its product and specifications without notice.