

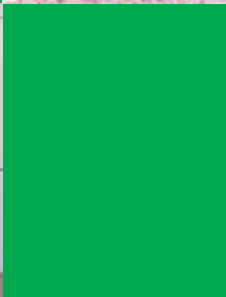
# ControlFlow™



## AUTOMATIC SECURITY REVOLVING DOOR



Horton's ControlFlow™ automatic security revolving doors provide a cost effective, secure entrance for your facility.



SERIES 9200

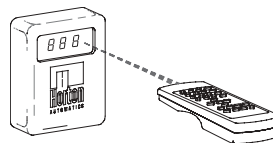


### Innovative Features and Economical Performance

**ControlFlow™** security revolving doors control access to your facility and monitor your safety automatically, continuously and effectively and at a substantially lower cost than conventional monitoring systems or security personnel. The exclusive Segmented™ design allows for low cost, quick delivery and unmatched glazing options, up to level III bullet resistance.

**ControlFlow™** doors provide employees a subtle sense of security along with free movement for authorized users in and out of the facility. This automated security provides continuous and economical control with a typical payback period of 6 months or less. The doors integrate with all access control devices and building management systems.

While security is a necessity, your employees' safety and well being are also critical, that's why Horton offers more safety features such as Bump-to-Idle™, torque limiting and cushioned safety edges. Our revolutionary control offers 16 modes of operation, 99 adjustable parameters and 16 diagnostic modes including self set up through the wireless remote control.



Exclusive wireless remote for setup and adjustment

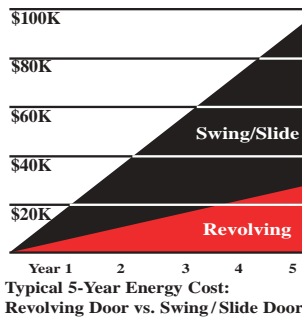
Horton's **ControlFlow™** security revolving doors allow your guard force to be more effective while reducing energy costs and improving employee safety. Horton has the largest factory trained and certified distribution force to install, service and maintain your doors anywhere in the world.

### Standard Features:

- ▶ Microprocessor Control – single unit controls all door functions
- ▶ Automatic set up and adjustment
- ▶ Magnetic breakaway for code compliance
- ▶ Round or Segmented™ design
- ▶ Safety features including Bump-To-Idle™
- ▶ Plus (+) or (X) configuring
- ▶ UPS backup
- ▶ 120/240 VAC
- ▶ Field selectable door functions
- ▶ Four field programmable voice messages
- ▶ Integrates with all security access systems

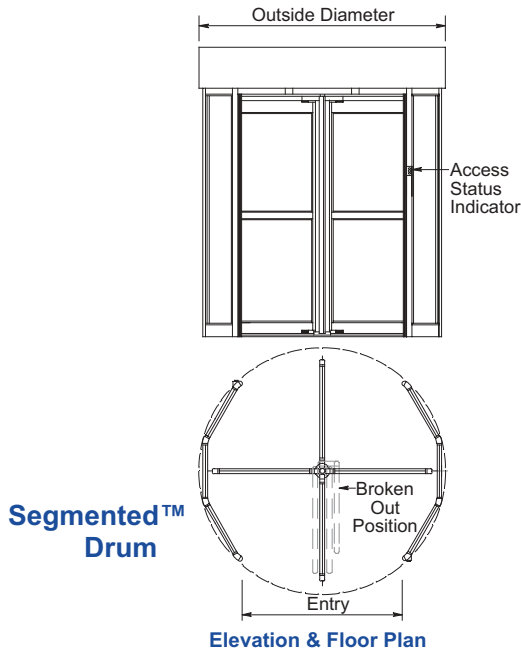
### Specifier Options:

- ▶ Finishes (Anodized aluminum, paint and metal clad)
- ▶ Lights, roof
- ▶ Special sizes available
- ▶ Glazing flexibility – anything from 1/8" metal to Level III bullet resistant material
- ▶ Magnetic bond sensing
- ▶ Extended canopy



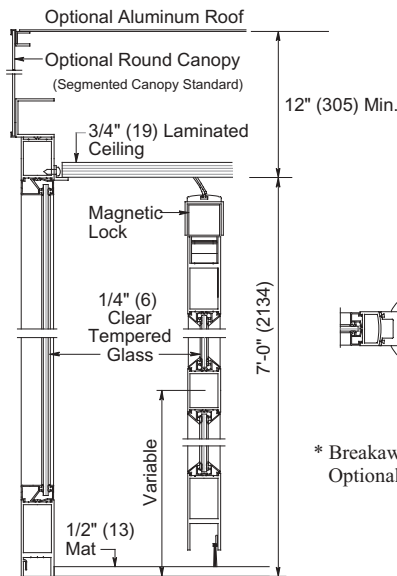
# ControlFlow™

doors provide security, safety and cost savings in a variety of sizes, functions and finishes.



Elevation & Floor Plan

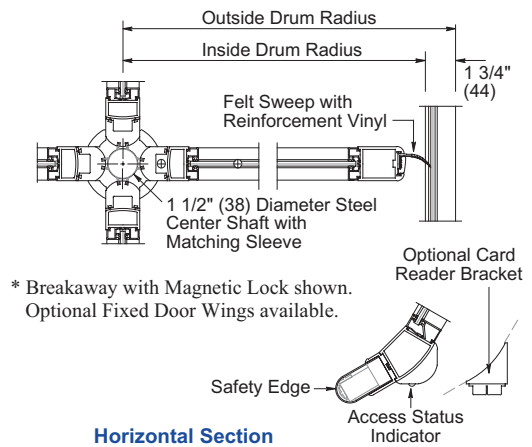
## Segmented™ Drum



Vertical Section

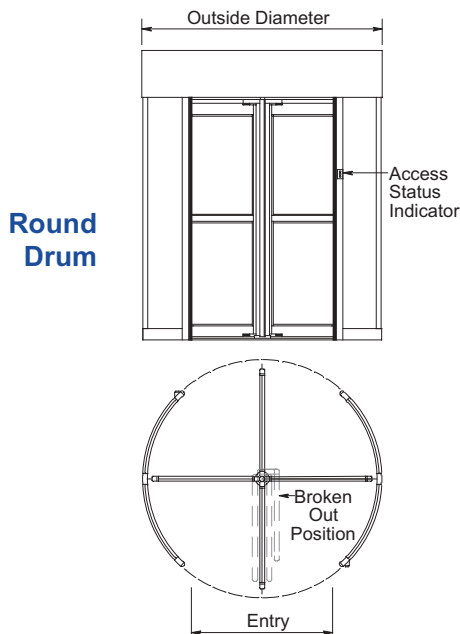
### Standard Drum Dimensions

Inside Diameter	Entry
6'-0" (1829)	3'-10 3/8" (1178)
6'-6" (1981)	4'-2 13/16" (1290)
7'-0" (2134)	4'-7 3/16" (14028)



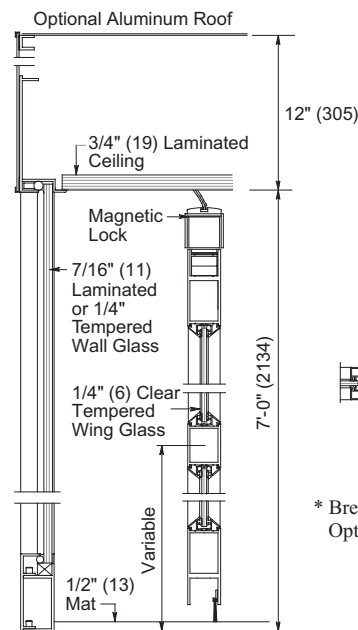
Horizontal Section

\* Breakaway with Magnetic Lock shown. Optional Fixed Door Wings available.



Elevation & Floor Plan

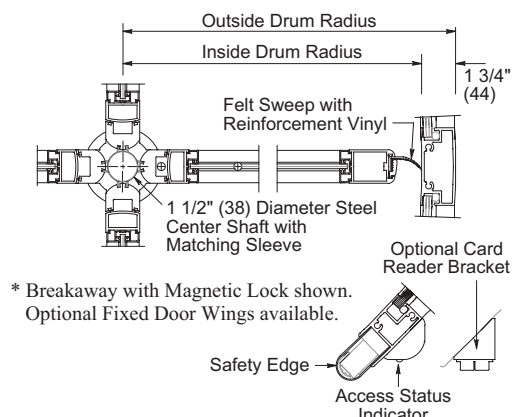
## Round Drum



Vertical Section

### Standard Drum Dimensions

Inside Diameter	Entry
6'-0" (1829)	3'-11 3/8" (1203)
6'-6" (1981)	4'-3 5/8" (1311)
7'-0" (2134)	4'-7 13/16" (1418)



Horizontal Section

\* Breakaway with Magnetic Lock shown. Optional Fixed Door Wings available.



4242 Baldwin Boulevard  
Corpus Christi,  
Texas, U.S.A. 78405-3399  
Tel: 800-531-3111, 361-888-5591  
Fax: 800-531-3108, 361-888-6510  
[www.hortondoors.com](http://www.hortondoors.com)

Horton Automatics reserves the right to alter its product and specifications without notice.

Horton Automatics, Ltd.  
Unit A, Hortonwood 31  
Telford, Shropshire, England TF1-7YZ  
Tel: 01952 670169, Fax: 0192 670181  
International Tel: ++44-1952-670169  
International Fax: ++44-1952-670181



Form F505  
© 2003 Horton Automatics  
Printed in U.S.A.